

BASE ENCLOSURE MOUNTING INSTRUCTIONS

TOOLS REQUIRED:

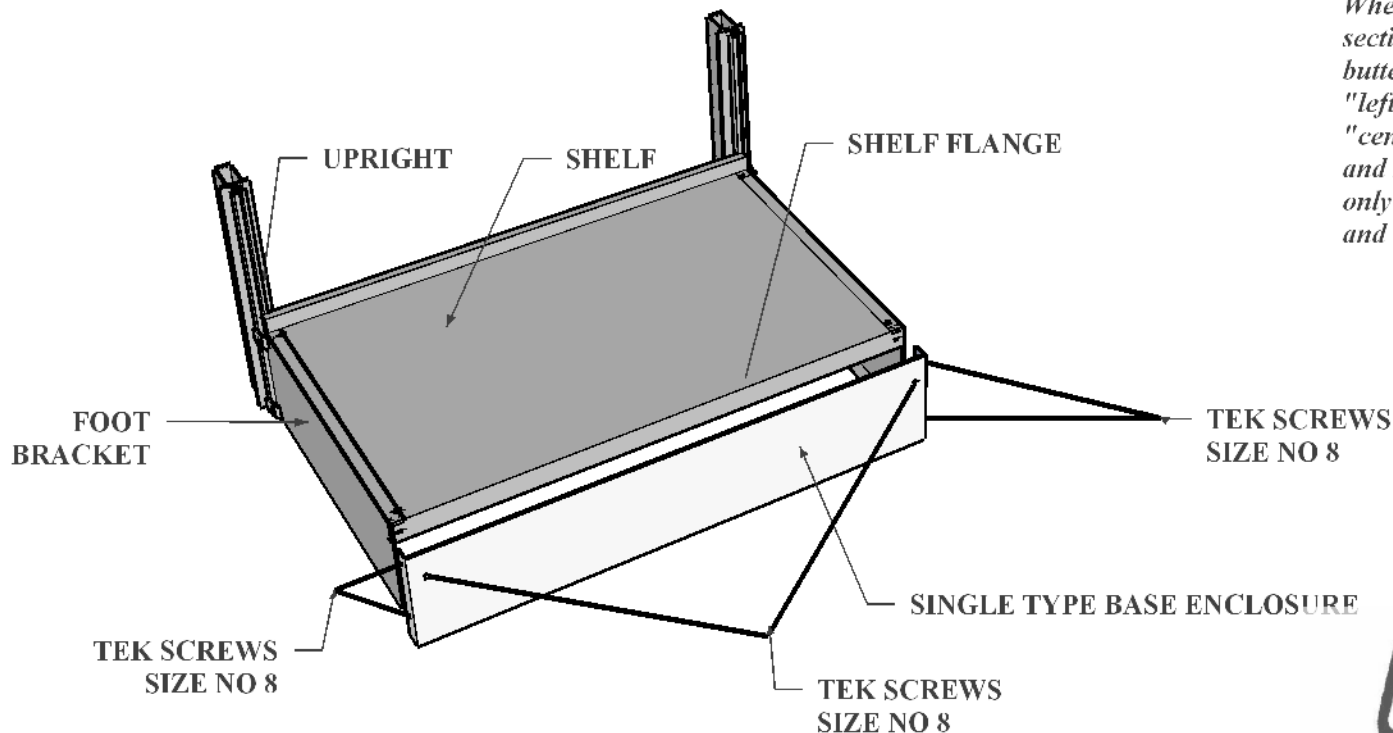
Variable-speed electric drill with ¼" nut driver
or Phillips head screwdriver bit (determined by
the fasteners provided).

After the bottom shelf mounting to the front brackets is complete, position the base enclosure so that it is flush to the front vertical flange of the shelf.

- 1) Fasten front of base enclosure directly to the shelf flange with the No. 8 self-drilling Tek screws provided. **DO NOT** overtighten Tek screws.
- 2) Fasten end of base enclosure directly to the side of foot bracket, through the pre-punched holes at the end of the base enclosure. **DO NOT** overtighten Tek screws.

NOTE:

This illustration shows a "single" type base enclosure. Where "continuous" shelving sections occur (shelves which are butted together), there will be "left-hand", "right-hand" and "center" base enclosures. The left and right hand base enclosures only wrap around on either end and attach to the shelf flange only.



E-Z SHELVING SYSTEMS, INC.
Manufacturer of Cantilever Shelving
www.e-zshelving.com