

E-Z SHEVING SYSTEMS, INC.

REFRIGERATION SPACEMAKER SHELVING INSTALLATION INSTRUCTIONS

1. UPRIGHT INSTALLATION ON “WALK-IN” COLLER/FREEZER WALLS OF THIN-SKIN ALUMINUM, EMBOSSED ALUMINUM, GALVANIZED OR GALVALUME. (see stainless steel wall-mount instructions on next page.)

- A. **Wall-Mount Hardware Furnished**

- #10 x 1/2” sheet metal screws (SMS), zinc plated.

- B. **Tools Necessary for Installation**

- Awl (ice pick or finely tapered nailset)

- Standard Phillips screwdriver (or electric screwdriver with variable torque setting)

- Note:** if an electric screwdriver is used, and is torque adjustable, set it to it’s lowest torque setting to avoid over-tightening the wall-mount sheet metal screws. **DO NOT DRILL THE MOUNTING HOLES.** Allow the sheet metal screws to cut the threading into the skin.

- Then, “snug” the screws with a hand screwdriver, using care not to over-tighten them, and thus stripping the self-cut threads.

- C. **Assembly**

- Place the first upright vertical and plumb against the wall, pushing it up to where it comes in contact with the ceiling. (The first upright is typically position in a corner when a wall-to-wall shelving configuration is planned, however, consult your plans for exact upright location.) Using the upright as a template, mark all of the mounting holes with a marking pen. Remove the upright and make a very small punch mark hole at each mounting hole mark with the awl. Keep the holes VERY small, no larger than 3/32” in diameter.

- Note:** E-Z single shelf brackets are flanged left and right. The left flanged bracket is normally mounted on the upright located at the right end of a shelving run. Likewise the right flanged bracket is normally mounted on the upright located at the left end of a shelving run. In other words, each of these brackets flange (or point) “into” the shelving run. However, because single brackets have double-punched mounting holes, reversing the flange of the bracket increases the range of area on the wall where the upright may be mounted.

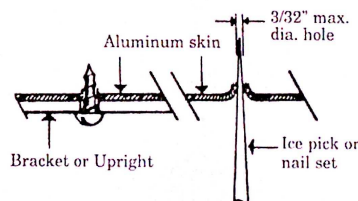
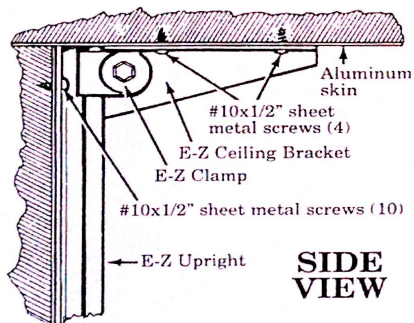
- After installing the first upright, mount the appropriate flange shelf bracket into the upright, and fasten it to the upright with the 2 clamp halves, 3/8”-16 x 1 1/2” bolt and nut, as provided and as illustrated below. The oblong holes pre-punched in the shelves allow you to move the shelf deck left or right for either a tight-wall fit, or for leaving approximately a 1 1/8” gap between the shelf edge, and the wall. Consider this when determining center-line positioning of the balance of your uprights.

- When all upright mounting positions have been punched, fasten the uprights to the wall skin using the No. 10 x 1/2” sheet metal screws provided. **DO NOT OVER-TIGHTEN THE FASTENERS.**

E-Z SHELVING SYSTEMS, INC.

REFRIGERATION SPACEMAKER SHELVING INSTALLATION INSTRUCTIONS (continued)

After the uprights have been installed, mount the 6" ceiling bracket into the upright, positioning it flush to the ceiling, and fastening it to the upright with the two clamp halves, 3/8"-16 x 1 1/2" bolt and nut, as provided and as illustrated above. Then, using the same awl "hole-punching" procedure as for the upright mounting, do the same for the ceiling bracket mounting holes. Keep the holes very small. Fasten the sheet metal screws through the already mounted ceiling bracket, directly into the ceiling panel. DO NOT OVER-TIGHTEN THE FASTENERS.



The correct method for installing the upright and ceiling bracket on the skin of a walk-in, is shown above.

NOTE: if your E-Z shelving Systems are NSF® listed, NSF requires that an NSF approved "clear" silicone sealant be used to seat the topmost part of the upright (where it comes into contact with the ceiling). NSF listed silicone sealant includes, but are not limited to: General Electric, No. 1201 and Dow Corning, No. RTV 102.

2. UPRIGHT INSTALLATION OF TYPE NO. 304 STAINLESS STEEL "WALK-IN" COOLER/FREEZER WALLS

A. Wall-Mounted Hardware Furnished

#10 x 1/2" #410 Series Stainless Steel Sheet Metal Screws (SMS)

B. Tools Necessary for Installation

Awl (ice pick, sharp center punch, or finely tapered nailset)
Electric drill
11/64" drill bit
standard Phillips screwdriver (or electric screwdriver)

C. Assembly

For stainless steel walls, upright mounting holes must be drilled.

Place the first upright vertical and plumb against the wall, pushing it up to where it comes in contact with the ceiling. (The first upright is typically positioned in a corner when a wall-to-wall shelving configuration is planned, however, consult your plans for exact upright location.)

Using the upright as a template, mark all of the mounting holes with a marking pen.

Remove the upright and center-punch the marks, so that the drill bit does not "walk"

Drill a 11/64" hole at each marked hole location

Fasten the upright to the wall using the #410 series stainless steel fasteners provided

Follow the same procedure for fastening of the ceiling brackets to the ceiling panel as mentioned above.

Note: all further installation is the same as detailed on page 1