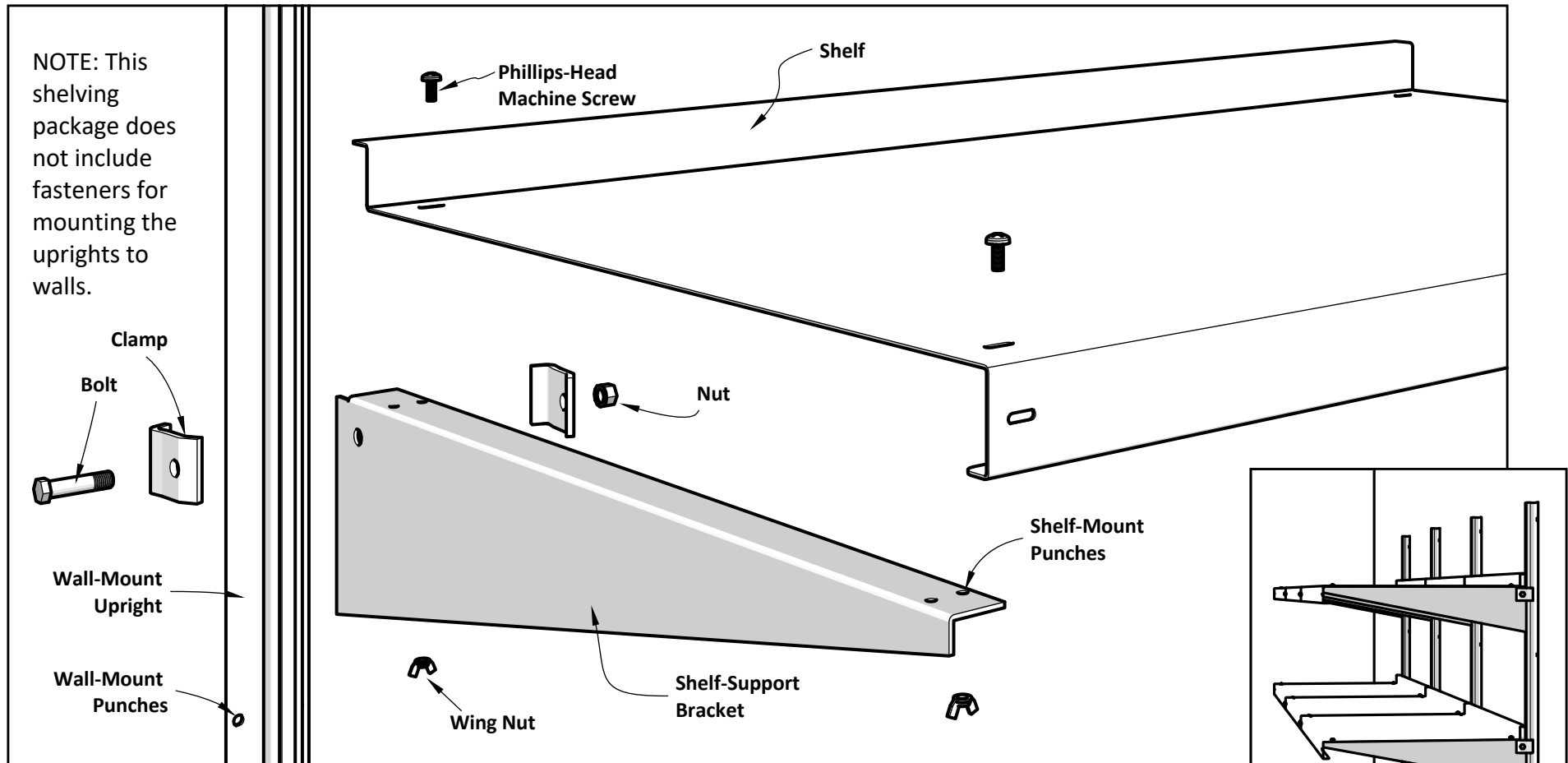


## INSTALLATION INSTRUCTIONS - *Wall-Mounted Shelving Systems*

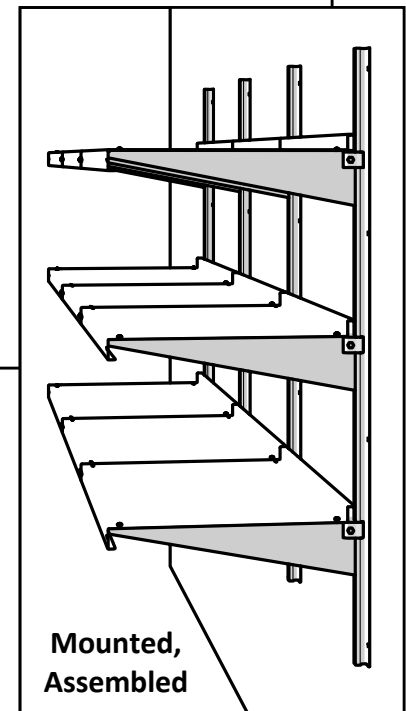
A guide to installing E-Z Shelving's wall-mount uprights, shelf-support brackets, and standard shelves.



### Recommended Tools for the Job

- Marking pen or pencil.
- Tools required for your wall fastener of choice (see next page).
- Torque wrench or standard ratchet with 9/16" socket.
- 9/16" wrench.
- Standard 4' level (or laser level for longer shelving runs).
- Phillips-head screwdriver.
- Locate the E-Z Shelving shop drawings included with the shipment and/or the architectural plans.

The included shelving components function as a complete shelving system with tight tolerances. To save time please review the entirety of these instructions before beginning the installation.



# INSTALLATION INSTRUCTIONS - Wall-Mounted Shelving Systems

# UPRIGHTS

NOTE: This shelving package DOES NOT include fasteners for mounting the uprights to walls.

## Recommended Fasteners by Wall Type:

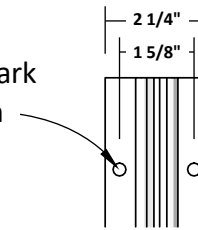
- **Wood Studs** - 1/4" lag screws at least 2 1/2" long.
- **Masonry** - Expansion shields + 1/4" lag screws at least 2 1/2" long.
- **Metal Studs** - 1/4" snap togglers.
- **Concrete** - Nail gun or Tapcon anchors.
- **Block Wall** - 1/4" snap togglers.

## Review the Shop Drawings:

Consult the included shop drawings to determine the spacing between uprights in each shelving run. Note the position of uprights relative to the shelves (see below).

## Mark Drill Holes:

After positioning an upright, mark your drill holes using the punch holes on the upright flanges.



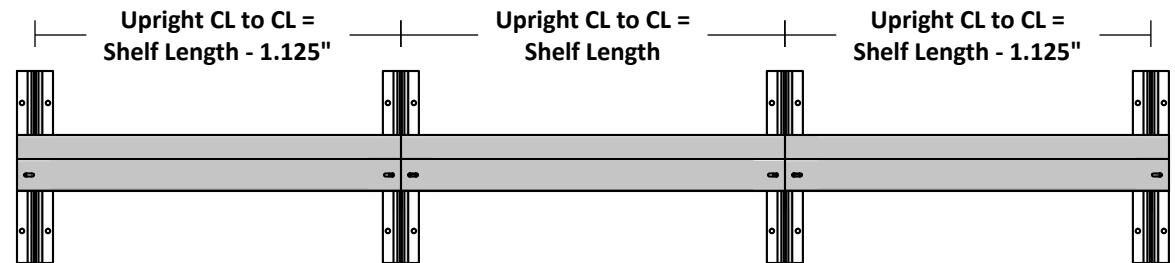
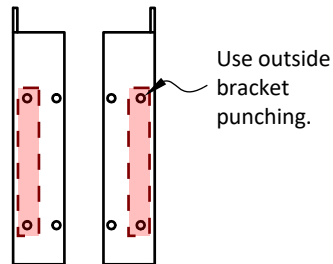
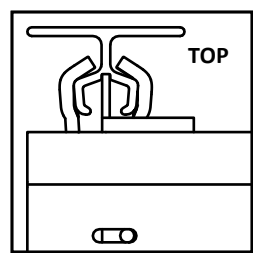
## Plumb:

To assure shelf fit, uprights must be installed plumb, (perfectly vertical) on flat walls.

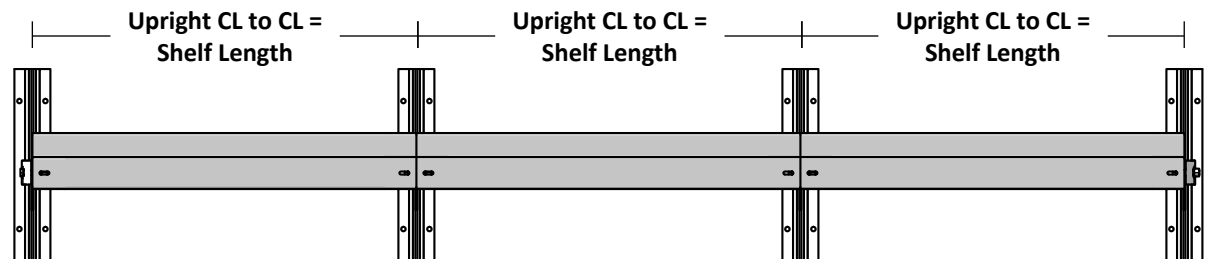
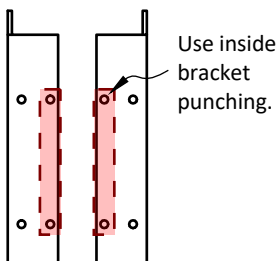
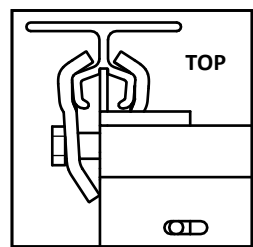
NOTE: The shop drawings may include a plan view of upright spacing relative to walls or other runs.

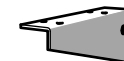
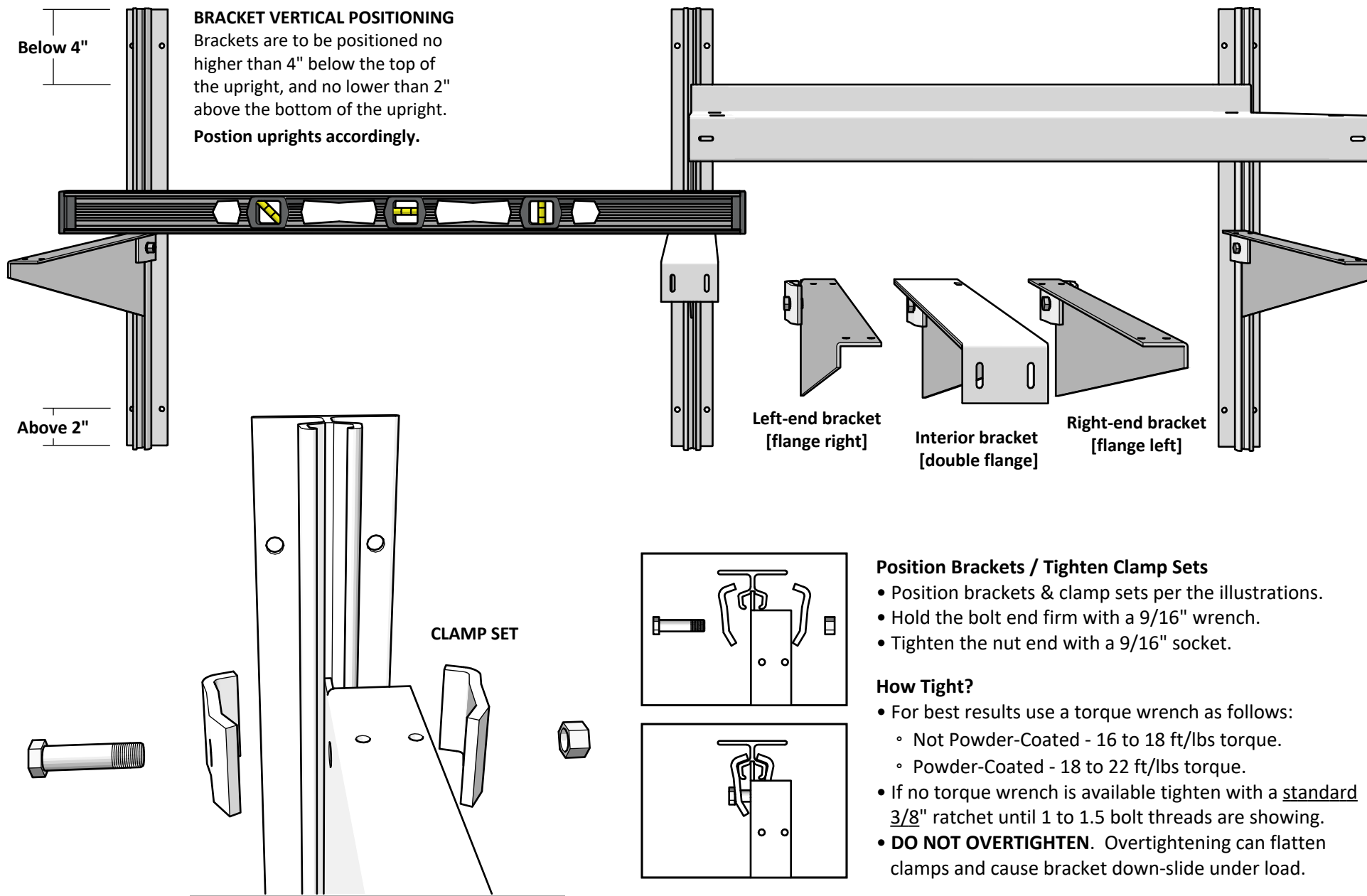
Vertical Positioning: See next page →

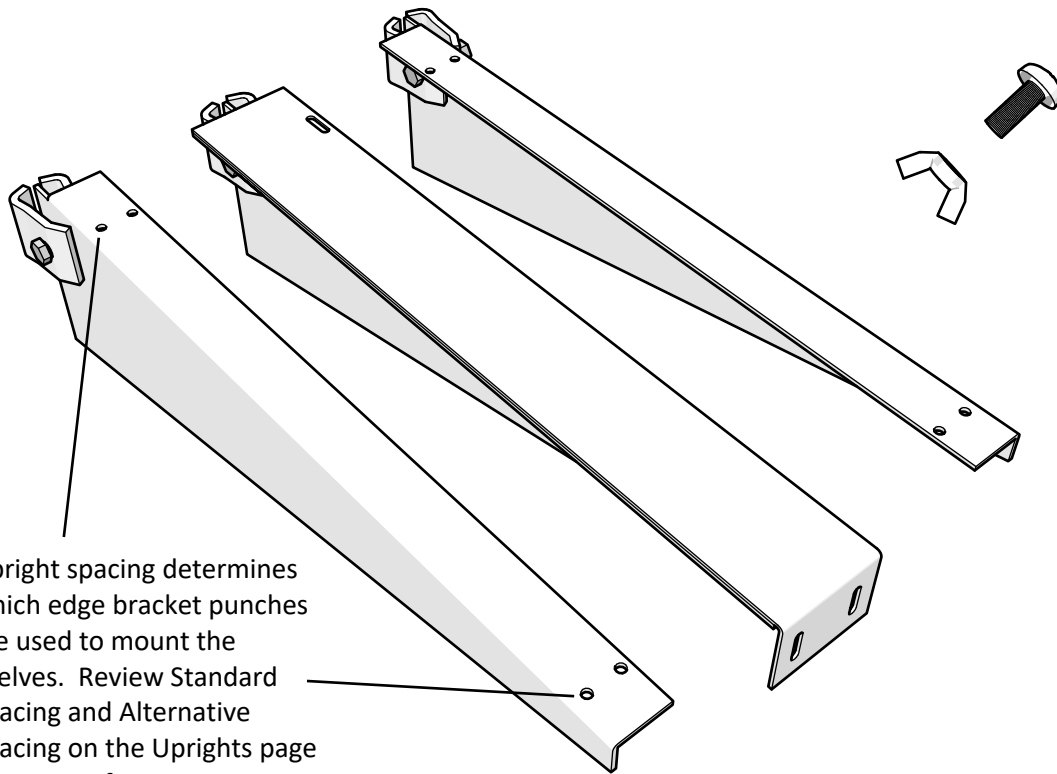
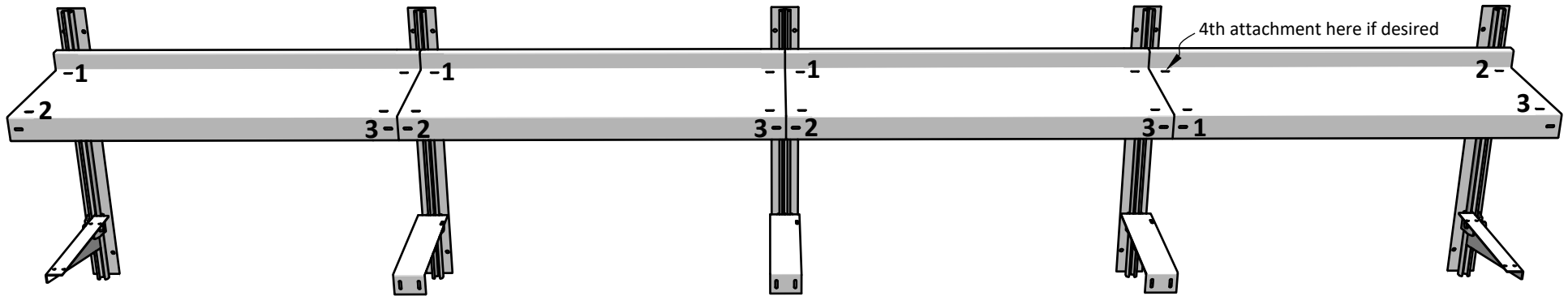
**Standard Upright Spacing:** See below where to locate the upright centerlines relative to the shelf edges.



**Alternative Upright Spacing:** This spacing can be used to work around an obstacle, or to align the upright with a wall stud.







## Attach the Shelves

- Use the included Phillips-head screws + wing nuts to secure the shelves to the brackets.
- Each shelf attaches at three points. See the **illustration above** for the recommended attachment pattern.

## Troubleshooting Shelf Fit

In this shelving system shelf punching is designed to align precisely with the punching on shelf-support brackets, allowing for easy insertion of the screws. If punch holes do not align, or if shelf fit is not as desired, troubleshoot as follows:

- Assure that brackets square to the wall, not rotated.
- Assure that uprights are installed at the spacing indicated on the shop drawings.
- Examine the wall. Uneven wall surfaces may require shimming behind the uprights to bring them into square.
- Call E-Z Shelving for assistance - (913) 384-1331.

Upright spacing determines which edge bracket punches are used to mount the shelves. Review Standard Spacing and Alternative Spacing on the Uprights page for more information.

