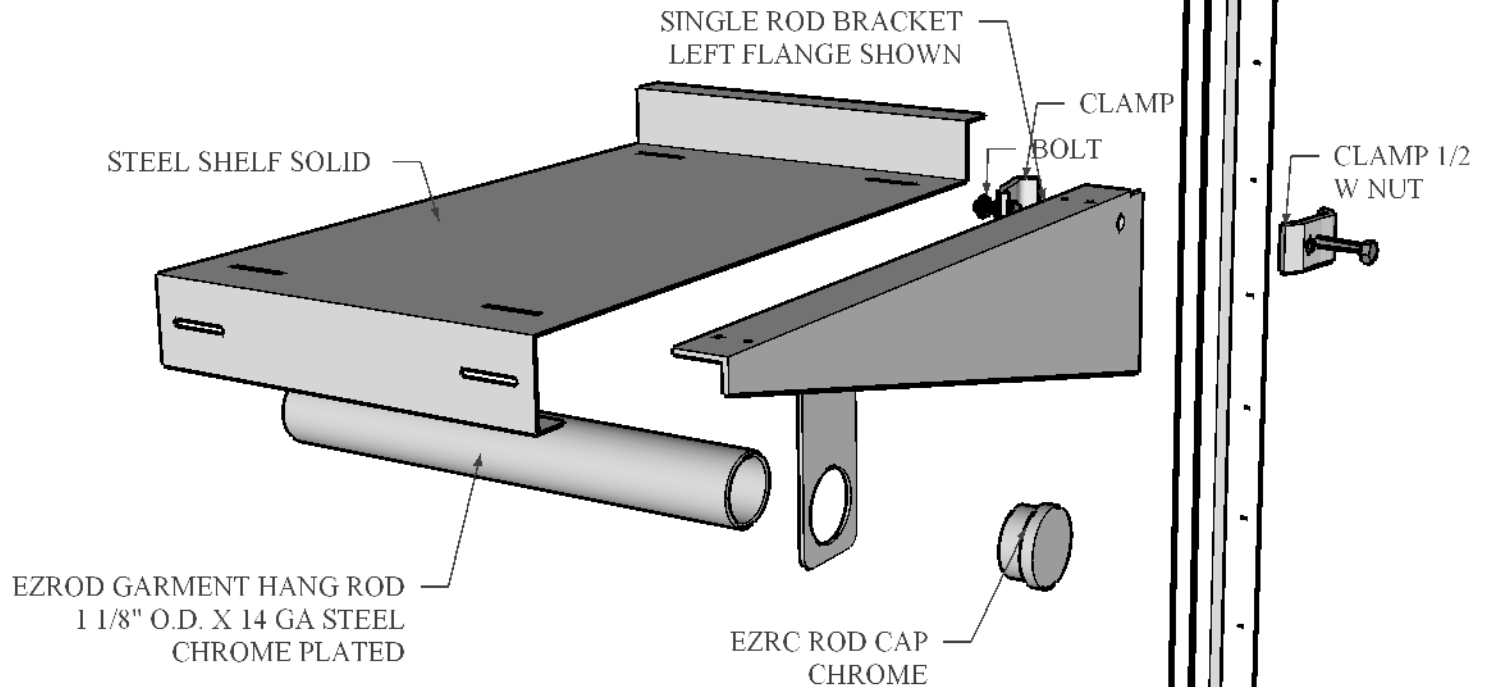


GARMENT HANG ROD ASSEMBLY

- 1) The rod bracket (EZRB) is attached to the upright with the clamp assembly (EZC)
- 2) After the rod brackets are mounted and correctly positioned, the garment rod is inserted through the 1-1/16" dia hole in the rod bracket, and should extend approx 1" past the rod bracket. NOTE: Because the rod bracket hole is fitted with a rubber grommet, it may be necessary to lightly wipe the inside of the grommet with a light oil to facilitate insertion of the garment rod.
- 3) The rod cap (EZRC) is attached by inserting the "umbrella" nut end (on the threaded end of the cap) into the end of the rod, hitting it with the heel of your hand or a soft blunt object, until it seats flush with the end of the rod. Then turn rod cap clockwise until it becomes snug to the rod.

NOTE: Shelves and brackets are pre-punched to allow for lateral re-positioning during assembly. At the ends of a shelving run, you have a choice of the upright centerline falling at the very end of the shelf, or to be inset by 1-1/8" so that it justifies with the end of the shelf. If the length of your garment rod(s) equal the overall length of your shelving run, then it is necessary that the uprights are inset for the proper fit-up and support.



NOTE: Other finishes available (stainless/aluminum/painted)



E-Z SHELVING SYSTEMS, INC.
Manufacturer of Cantilever Shelving
www.e-zshelving.com

SPLICER INSTALLATION FOR GARMENT RODS

Splicers are often required when shelving runs exceed 20' 0" in length.

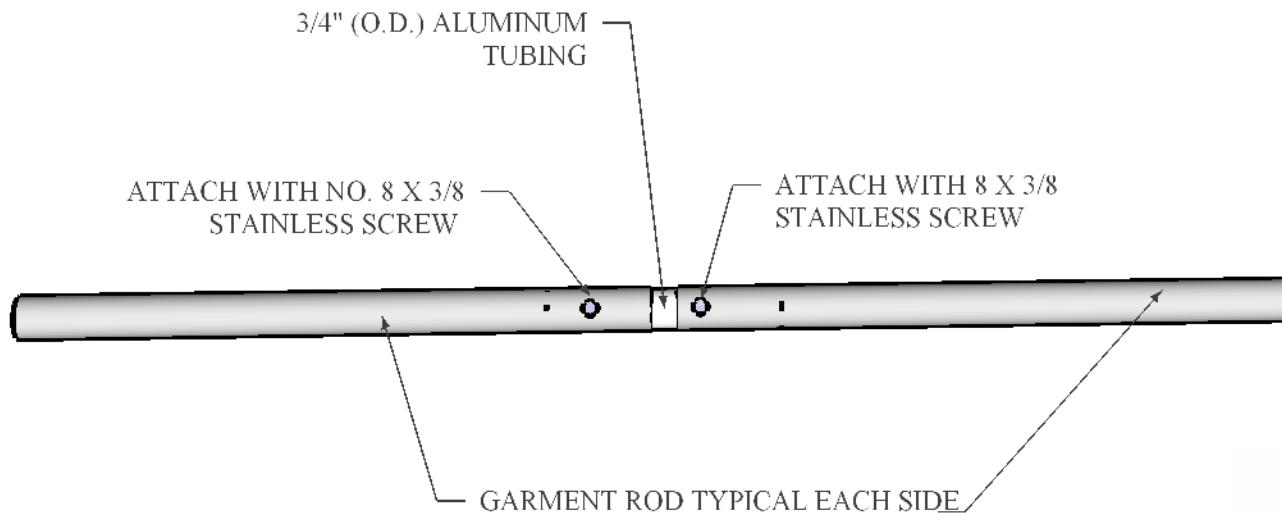
By design, the splice will always occur at a bracket location.

We will provide 7" length sections of aluminum tubing. A mark should be made half way ($3\frac{1}{2}$ " from each end). The aluminum tubing should then be inserted in to the garment rod to the half way mark.

Utilizing the $\frac{9}{64}$ " cobalt drill bit, drill opposing holes into the garment rod (see sketch).

Screw in the self-tapping No. 8 X $\frac{3}{8}$ " pan head screws provided.

Cutting oil will help, but is not required.



E-Z SHELVING SYSTEMS, INC.
Manufacturer of Cantilever Shelving
www.e-zshelving.com